

Accessible Parking and Curb Ramp Guidelines

Signage

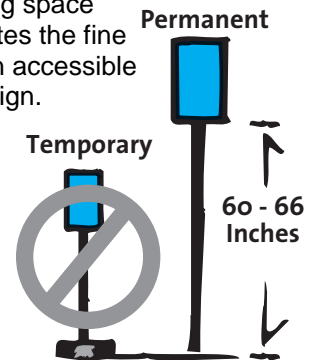
A minimum vertical clearance of 98 inches in a van accessible parking spot is required.



The Minnesota Department of Transportation requires parking space signs to be BLUE and WHITE lettering. The notice which states the fine for a violation may be mounted below the main sign. At a van accessible space, an additional sign must be mounted below the main sign.

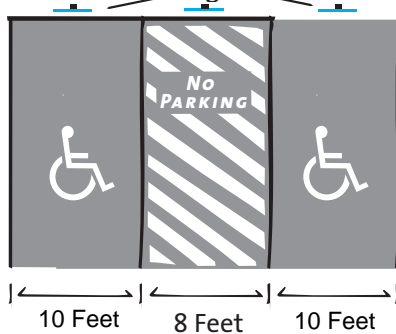
Signs must be permanent and not more than eight feet from the space, to be enforceable. Temporary or portable signs are not allowed.

The sign must be high enough not to be obscured by a vehicle parked in the space; the sign's bottom edge should be 60 - 66 inches from the ground.

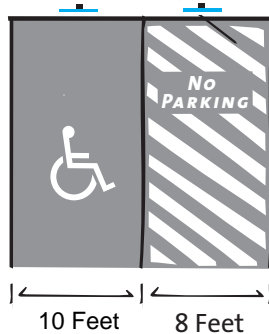


Size requirements

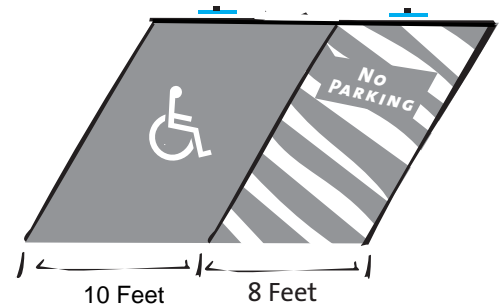
Standard and van Shared access aisle Sign



Standard and van Single access aisle



Diagonal



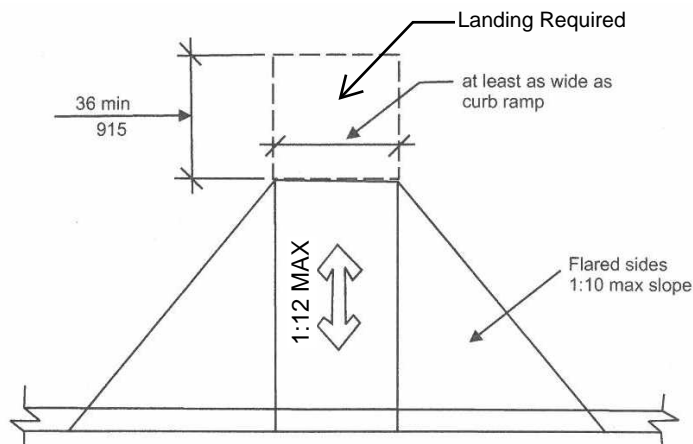
Wheelchair symbol is not needed on actual parking surface, but access aisle needs to be marked "No Parking".

Access aisle needs to be located on the passenger side of the space.

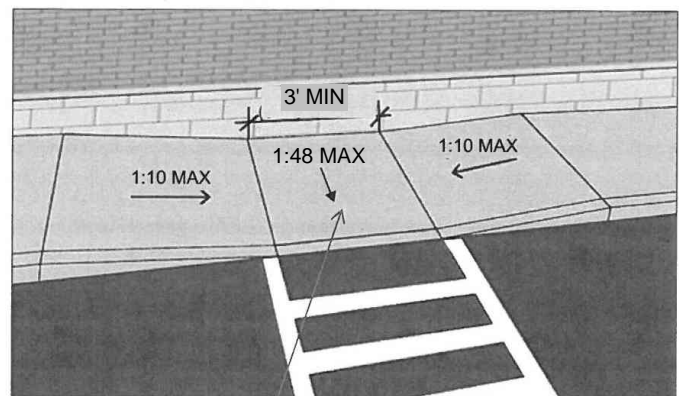
Minimum widths for parking spaces and their access aisles are shown above.

Two adjoining disabled spaces may share a common access aisle.

An access aisle may be located on either side of the designated space, except when a diagonal space is utilized.



Standard Curb Ramp and required 3 foot landing



Parallel Curb Ramp when a 3 foot landing is not possible